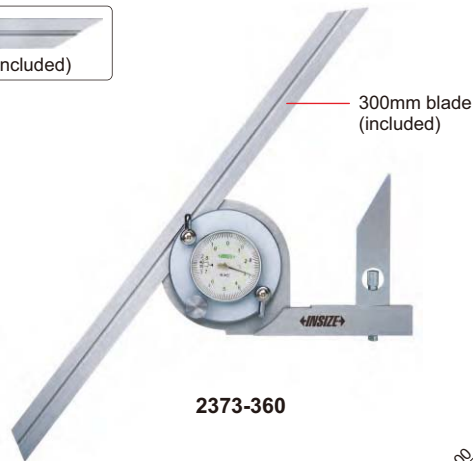
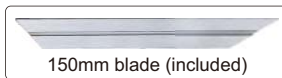
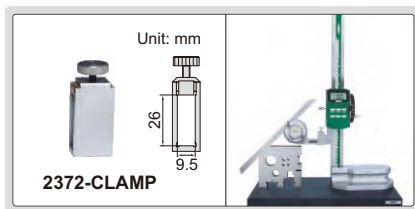
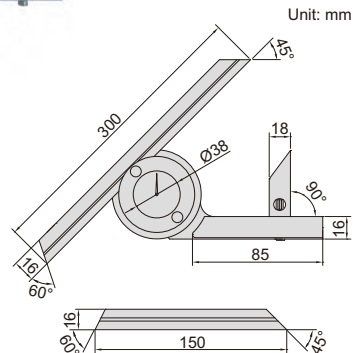


DIAL PROTRACTOR

clamp for height gages (**optional**)



- Made of stainless steel
- Optional accessory: clamp (code **2372-CLAMP**), suitable for height gages **1156, 1150-300, 1351, 1250** and **1151**



Code	Range	Graduation	Accuracy
2373-360	0-360°	5'	±5'